

COLORTROM 250



Mulch production doesn't get any easier than this. Forget parts wearing out, shafts jamming and paddles breaking. This no-wear, low-maintenance system produces up to 300 cubic Color Enhanced yards per hour and is made of tough steel and powerful peristaltic pumps. Our newly designed colorant and water spray delivery system dramatically reduces water and colorant use rates per yard. For producers who want a simple, effective, high-volume system for coloring mulches, this is it. Comes with the Amerimulch commitment of total customer satisfaction. For maximum performance, always use **Heartland Enriched Colorants**.

Specifications:

Production Range	200-300 Yrds/Hr
Water Requirements	50-75 Gal/Min
Power Supply	480-Volt 3-Phase
Feed Hopper	20 "Non-Bridging" Yard Bulk
Motor	Twin 7.5 hp Electric Variable Speed Drive

**ALL SYSTEM PRICING INCLUDES INSTALLATION ASSISTANCE,
MAINTENANCE AND SAFETY TRAINING.**

Amerimulch®

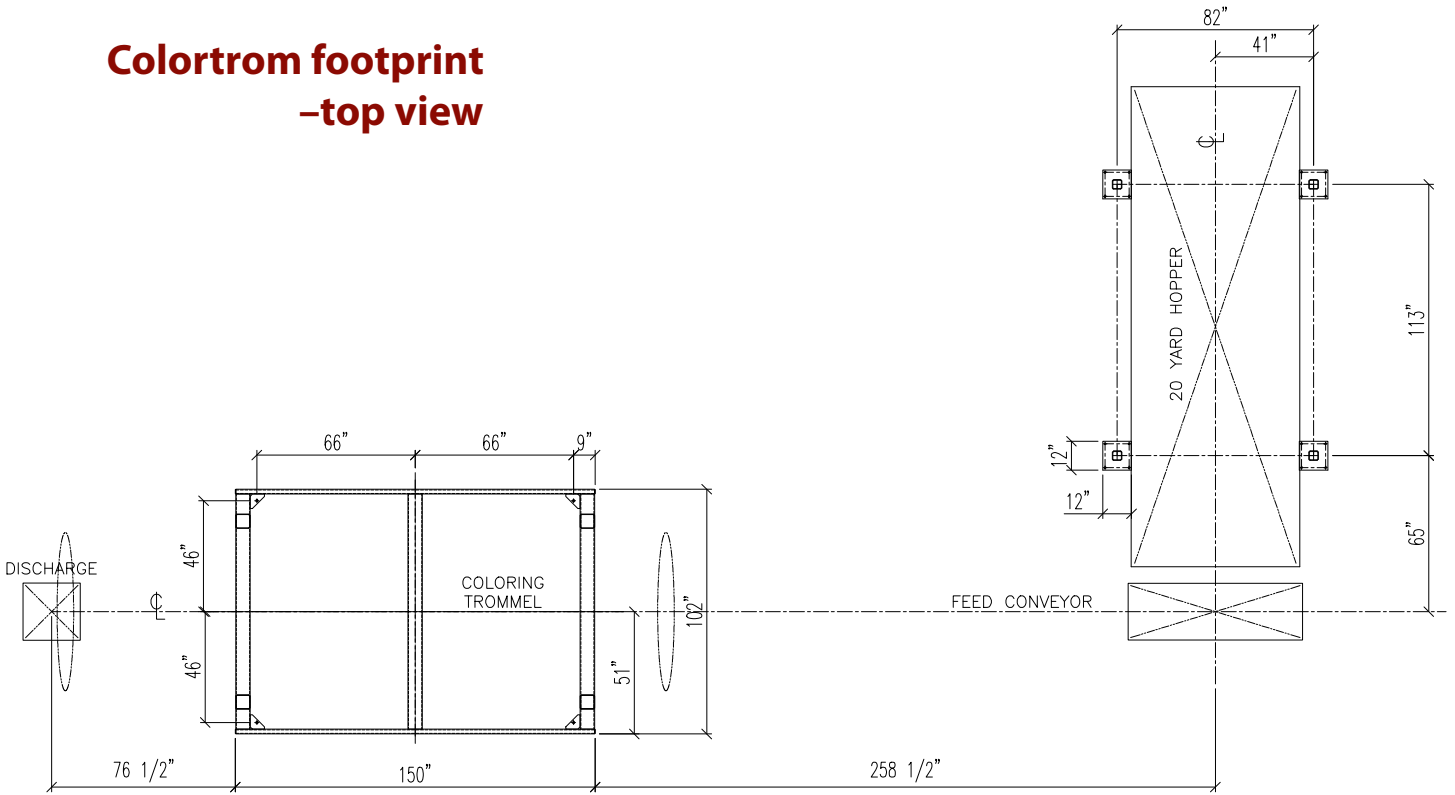
EAST 2055 Enterprise Parkway Twinsburg, OH 44087 Phone: 330.425.4244 Fax: 330.425.4240 1.888.556.3304

WEST 30 Brown Drive Carson City, NV 89706 Phone: 775.246.9888 Fax: 775.246.9887 1.800.490.0950

amerimulch.com

Amerimulch is a division of ChromaScape Inc.

Colortrom footprint -top view



Colortrom footprint -side view

